

DMC

HI-CAP[®]

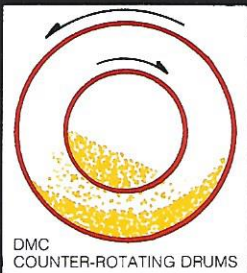
PATENTED **Counter-Rotating
Dual-Screening Grain Cleaners**

Helping you get the most out of the crops you bring in.

EFFICIENT GRAIN DRYING STARTS OUTSIDE THE BIN WITH THE DMC HI-CAP[®] GRAIN CLEANER

Foreign material in your drying bin costs you money. Trash and fines restrict the flow of air through grain — make your drying system inefficient. That means drying takes longer — fuel costs go up.

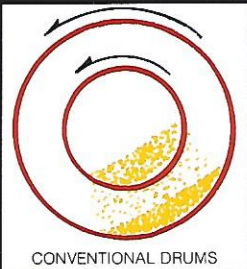
The DMC Hi-Cap grain cleaner removes cobs, stalks, husks, fines, chaff, weed seed, and dirt from grain *before* it enters the bin. That means you dry *only* the grain — not the foreign material. You get increased drying capacity, decreased fuel costs. Clean grain is less likely to spoil in storage, and it's *always* ready to sell — with less chance of dockage at the elevator.



The Hi-Cap works better than other grain screeners — here's why.

GREATER CAPACITY

The Hi-Cap's dual cleaning drums rotate in opposite directions — one inside the other. This "Counter-Rotating" action spreads grain over more of the outside screen surface. That means the Hi-Cap will screen more bushels of grain per hour, with a higher percentage of fines removed than with conventional screeners.

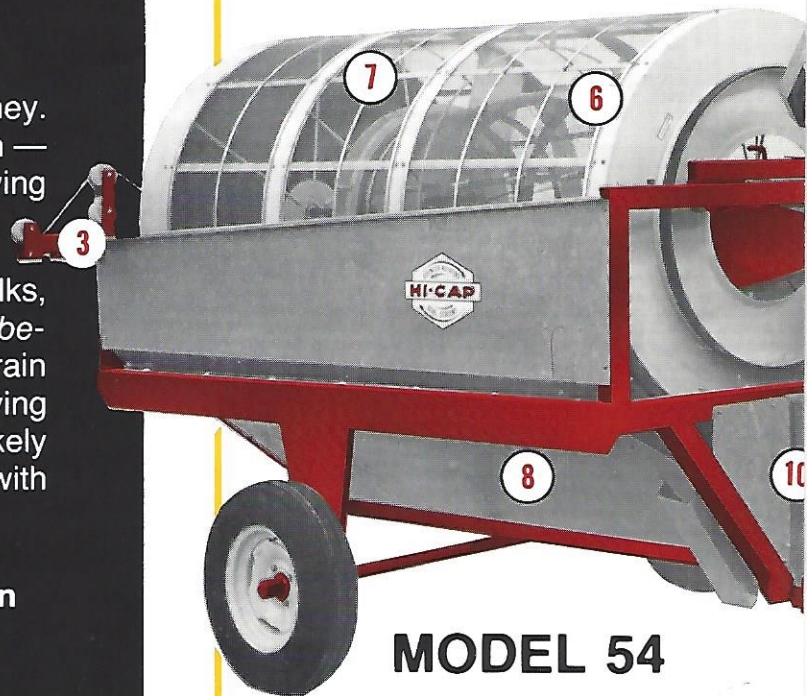


MORE THOROUGH

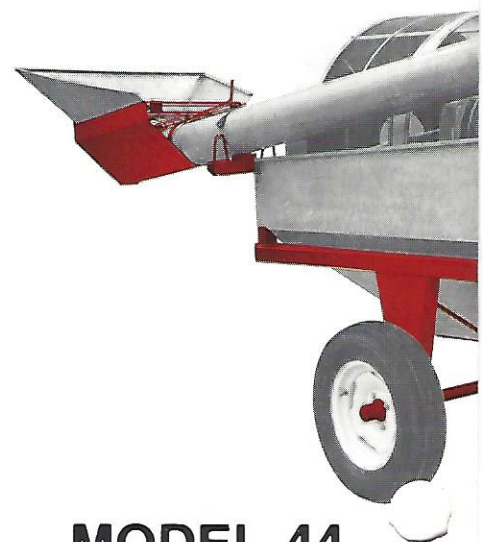
The Hi-Cap screens grain in two stages: The first stage removes cobs, stalks, and other coarse material. The second stage takes out fines, chaff, weed seed, and dirt. This "double-cleaning" process is further enhanced by special tumbler bars that gently roll the grain for better cleaning action.

MORE VERSATILE

Your local DMC dealer offers a wide selection of screens to fit the Hi-Cap. And he has the knowledge to help you choose the right combination for *your* crop.



MODEL 54

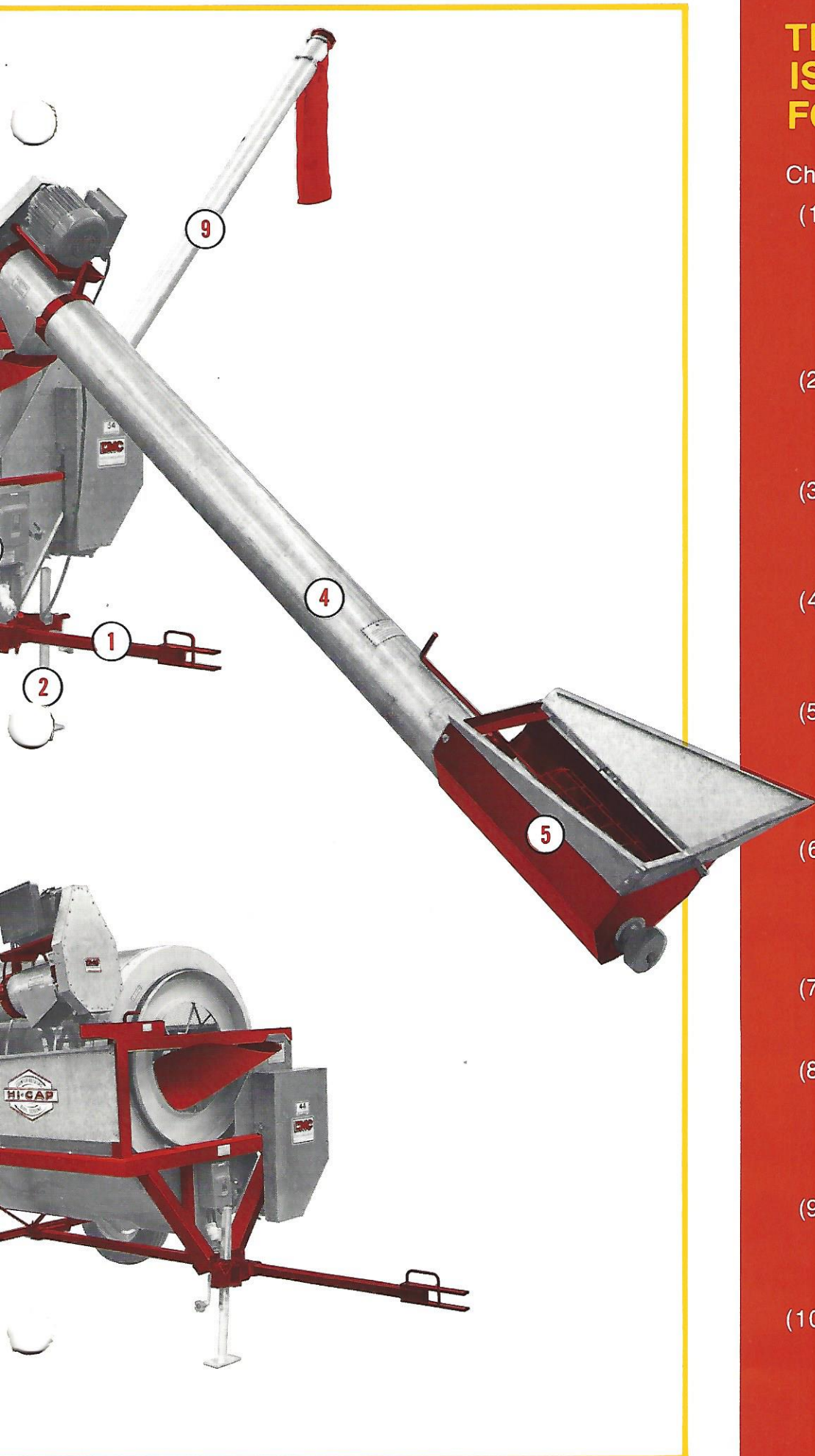


MODEL 44

THE HI-CAP IS DESIGNED FOR CONVENIENCE

Check these features:

- (1) **REMOVABLE TONGUE** — stays out of the way when Hi-Cap is operating. Tongue is located so you can easily back Hi-Cap into position. (MODELS 54, 44)
- (2) **BUILT-IN JACK AND LEVEL** — make slope adjustment easy. (MODELS 54, 44)
- (3) **AUGER LIFT** — makes light work of raising and lowering feed-in auger. (MODEL 54)
- (4) **180° FEED-IN AUGER** — swings on a roller for easy positioning with wagon. (ALL MODELS)
- (5) **SLIDING HOPPER** — moves out of the way of wheels — allows you to get wagons in close to Hi-Cap. (ALL MODELS)
- (6) **COUNTER — ROTATING DRUMS** — increase screening efficiency and bushel/hour capacity. (MODELS 54, 44)
- (7) **TUMBLER BARS** — gently roll grain for better cleaning action. (ALL MODELS)
- (8) **TRASH PAN** — catches foreign material as it's screened out — eliminates time-consuming cleanup. (ALL MODELS)
- (9) **FOLD-DOWN TRASH AUGER** — loads trash and fines directly into wagon or bin. (MODEL 54)
- (10) **ELECTRICAL SYSTEM** — 220-volt single phase (MODELS 54, 44)
110-volt single phase (MODEL 40)



THE HI-CAP IS DESIGNED FOR CONVENIENCE

Check these features:

- (1) **REMOVABLE TONGUE** — stays out of the way when Hi-Cap is operating. Tongue is located so you can easily back Hi-Cap into position.
(MODELS 54, 44)
- (2) **BUILT-IN JACK AND LEVEL** — make slope adjustment easy.
(MODELS 54, 44)
- (3) **AUGER LIFT** — makes light work of raising and lowering feed-in auger.
(MODEL 54)
- (4) **180° FEED-IN AUGER** — swings on a roller for easy positioning with wagon.
(ALL MODELS)
- (5) **SLIDING HOPPER** — moves out of the way of wheels — allows you to get wagons in close to Hi-Cap.
(ALL MODELS)
- (6) **COUNTER — ROTATING DRUMS** — increase screening efficiency and bushel/hour capacity.
(MODELS 54, 44)
- (7) **TUMBLER BARS** — gently roll grain for better cleaning action.
(ALL MODELS)
- (8) **TRASH PAN** — catches foreign material as it's screened out — eliminates time-consuming cleanup.
(ALL MODELS)
- (9) **FOLD-DOWN TRASH AUGER** — loads trash and fines directly into wagon or bin.
(MODEL 54)
- (10) **ELECTRICAL SYSTEM** —
220-volt single phase
(MODELS 54, 44)
110-volt single phase
(MODEL 40)

AVAILABLE SCREENS

CORN SCREENS

CONE SCREENS

2 x 2 x 19 ga wire — small
5/8 x 5/8 x 17 ga wire — standard
3/4 x 3/4 x 16 ga wire — large

OUTSIDE DRUM SCREENS

4 1/2 x 4 1/2 x 21 ga wire — small
4 x 4 x 23 ga wire — standard
3 1/2 x 3 1/2 x 20 ga wire — large

POPCORN SCREENS

CONE SCREENS

4 x 4 x 23 ga wire — small
3 x 3 x 21 ga wire — standard
2 x 2 x 19 ga wire — large

OUTSIDE DRUM SCREENS

8 x 8 x 25 ga wire — small
6 x 6 x 25 ga wire — standard
5 x 5 x 23 ga wire — large

SOYBEAN SCREENS

CONE SCREENS

3 x 3 x 21 ga wire — small
2 1/2 x 2 1/2 x 19 ga wire — standard
2 x 2 x 19 ga wire — large

OUTSIDE DRUM SCREENS

6 x 6 x 25 ga wire — small
5 x 5 x 23 ga wire — standard

SCREENS RECOMMENDED FOR CLEANING SEED SOY BEANS

CONE SCREENS

3 1/2 x 3 1/2 x 20 ga wire — small
3 x 3 x 21 ga wire — standard

OUTSIDE DRUM SCREENS

5 x 5 x 23 ga wire — small
4 1/2 x 4 1/2 x 21 ga wire — standard

SCREENS RECOMMENDED FOR CLEANING CORN FROM SOYBEANS

CONE SCREENS

3 x 3 x 17 ga wire — standard

OUTSIDE DRUM SCREENS

6 x 6 x 25 ga wire — small
5 x 5 x 23 ga wire — standard

WHEAT, MILO, OATS AND BARLEY SCREENS

CONE SCREENS

4 x 4 x 23 ga wire — small
3 x 3 x 21 ga wire — standard
2 x 2 x 19 ga wire — large

OUTSIDE DRUM SCREENS

10 x 10 x 23 ga wire — small
9 x 9 x 29 ga wire — medium small
8 x 8 x 25 ga wire — standard
7 x 7 x 25 ga wire — medium large*
6 x 6 x 25 ga wire — large

*For buckwheat out of wheat

SUNFLOWER SCREENS

CONE SCREENS

3 x 3 x 21 ga wire — small
2 x 2 x 19 ga wire — standard
5/8 x 5/8 x 17 ga wire — large

OUTSIDE DRUM SCREENS

8 x 8 x 25 ga wire — small
6 x 6 x 25 ga wire — standard
5 x 5 x 23 ga wire — large

RICE SCREENS

CONE SCREENS

4 x 4 x 23 ga wire — standard
3 x 3 x 21 ga wire — large

OUTSIDE DRUM SCREENS

10 x 10 x 23 ga wire — standard
8 x 8 x 25 ga wire — large

3 MODELS TO CHOOSE FROM . . .

one of them is right for you. So talk to your local DMC dealer today — he'll make you an efficiency expert.



MODEL 54

STANDARD EQUIPMENT

Counter-rotating drums
54-inch outer drum
Triple drum drive belts
Tumbler bars
Feed-in auger lift
Trash pan
5-inch folding trash auger
(left or right mount)
Built-in set-up level
and jack
Removable tongue
3 HP total-enclosed
fan-cooled motor
220-volt single-phase
electrical system
Oil-impregnated wood
bearings
Screening tool

OPTIONAL EQUIPMENT

Feed-in auger
(10" x 12') with sliding
hopper, slide gate
5 HP auger motor
3 phase electrical system;
220/440
Hydraulic drive; 13 G.P.M.,
1800 P.S.I.

MODEL 44

STANDARD EQUIPMENT

Counter-rotating drums
44-inch outer drum
Double drum drive belts
Tumbler bars
Built-in set-up level
and jack
Removable tongue
1 HP total-enclosed
fan-cooled motor
220-volt single-phase
electrical system
Oil-impregnated wood
bearings
Screening tool

OPTIONAL EQUIPMENT

Feed-in auger
(8" x 11') with sliding
hopper, slide gate
2 HP auger motor
Trash pan & auger
4" x 16' trash auger
(for loading directly
into bin or wagon)
3 phase electrical system;
220/440
Hydraulic drive; 9 G.P.M.,
1300 P.S.I.
Feed-in auger lift
Stationary model

MODEL 40

STANDARD EQUIPMENT

Dual drums
40-inch outer drum
Double drum drive belts
Tumbler bars
Turnbuckle level screw
1/2 HP total-enclosed
fan-cooled motor
110-volt single-phase
electrical system
Greaseable sealed ball
bearings

OPTIONAL EQUIPMENT

Feed-in auger
(8" x 8') with sliding
hopper, slide gate
1 1/2 HP auger motor
Trash pan & auger
220-volt single-phase
electrical system



HEADQUARTERS
334 - 11TH ST. SOUTH
NEVADA, IA 50201
(515) 382-6516

BRANCH
P.O. BOX 311, 804 E. 11TH
ROCK FALLS, IL 61071
(815) 626-5800

BRANCH
HWY 34 & 5TH ST.
HAMPTON, NE 68843
(402) 725-3511



1600 12th Street N.E., Mason City, Iowa 50401
Phone: (515) 423-6182

Leaders in Profit Farming Equipment.